

Specification for approval

Description(产品类型):	Current Transformer
Customer P/N(客户):	
ZETTLER P/N (赛特勒):	XZM-CT80A01
Revision(版本号):	A0
Page(页数):	3

Drafted(制作): Joe Ji

Checked(审核): Chen Chaolu

Approved(确认): He Zongnian



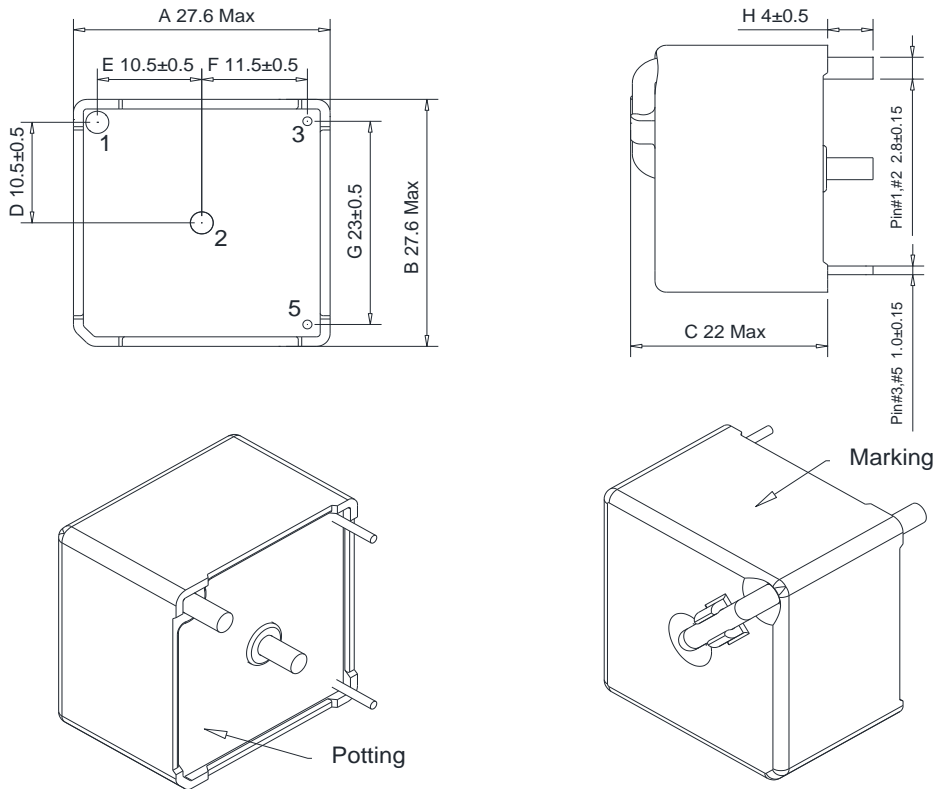
Rev.	Date	Description	Changed

Approved by Customer (客户确认) : _____

Friendly Reminder: Please help to sign this Spec when approve , and fax to our company .Or else, we will consider you have accepted it and make future order based on this Spec.

友情提示:请在签字确认后,按封面的传真号码回传给赛特勒磁电有限公司.如无回传,则视为默认,后续的相关订单将以按本承认书的规定为技术要求.

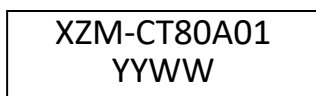
1. OUTLINE DRAWING(外形图):UNIT(单位): mm



Notes(注):

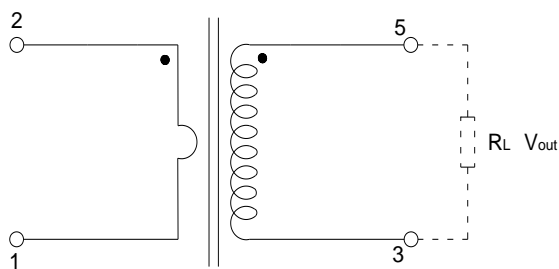
- ◆ PCB opening aperture is recommended to be 3.4mm and 1.4mm;(建议 PCB 开孔孔径为 3.4mm and 1.4mm)
Because of the coplanarity of the primary U-shaped guide pin, we strongly recommend that the opening aperture of the primary U-shaped PCB should be 3.4mm to avoid the difficulty of assembly due to interference when inserting subsequent products into the PCB.
- ◆ If PIN layout and footprint have slightly deviation, please refer to actual PCB assembly, the ones can be normally inserted into PCB is qualified. (PIN 距,排距尺寸测量有偏差时,以 PCB 下板实装确认,可正常下板为合格)
- ◆ The Pin length doesn't include the solder tip (PIN 脚长度不包括锡尖)

2.Label(标签图)



YY:Year/年
WW:Week/周

3.SCHEMATIC(原理图):



● Indicate Polarity

Remark:

The dotted line does not exist, just to illustrate the principle and test need

4. ELECTRICAL SPECIFICATION(电气特性):

TEST TEMPERATURE(测试温度)@25±2℃:

Item 项目	Terminal 端子	Specification 规格值	Test condition 测试条件
Accuracy 精度 (比差)	5--3	±0.5%	Input 2—1, 0.1Arms, 50Hz, R _{load} =40 Ω
			Input 2—1, 80Arms, 50Hz, R _{load} =40 Ω
Phase displacement 相差 (角差)	5--3	1° Max	Input 2—1, 0.1Arms, 50Hz, R _{load} =40 Ω
			Input 2—1, 80Arms, 50Hz, R _{load} =40 Ω
DCR 直流电阻(Ω)	5---3	60Ω Max	T _a =25℃
Dielectric strength 绝缘耐压	2----5	4.0kVac	1mA/50Hz/2s

5.NOTES FOR USE (产品使用注意事项):

- 1) Insulation Class(绝缘等级): Class B
- 2) Rohs compliant directive 2011/65/EU(产品符合欧盟 ROHs 2011/65/EU 指令)
- 3) Operating Temperature range 操作温度范围: -40℃ to +85℃(Temperature rise included)
- 4) Storage temperature range 存储温度范围: -40° to +85°C
- 5) Resistance to solder heat (焊锡耐热性): +260±5℃, 3-8Sec:
- 6) Rated working Frequency (工作频率) : 50~100Hz (sinusoidal)
- 7) Rated current 额定电流: 80Arms (transient 120Arms Max)
- 8) Load resistance 负载电阻: ≤40 Ω
- 9) Turns Ratio 圈比: 1:1000